



L&T Construction & Mining Machinery

L&T 9020_{sx} WHEEL LOADER

Best in class power to weight ratio

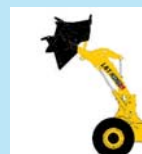
Engine:	Cummins - QS B4.5 CIV140D222
Gross Power:	104.4kW (140HP) @ 2200 rpm
Rated Payload:	3,500 kg
Std Operating Weight:	11,400kg
Bucket Capacity:	1.5 - 3.5 m ³

**Introducing
CEV Stage IV
Engine**



Optional Fetures

- ▶ High Lift Arm
- ▶ Dozer blade
- ▶ Rear View Camera
- ▶ Automatic fire suppression system
- ▶ Automatic centralized lubrication system
- ▶ Air Conditioned Cabin
- ▶ Pay Load Monitoring System
- ▶ DigiEye tracking system



Improved linkage and Bucket Design for Higher productivity



4-Cylinder Fuel-efficient, low-noise and vibration CEV Stage IV Engine



Remote Mounted Hydraulically driven Cooler fan

SPECIFICATIONS

Operating Specifications



Operating Weight (Standard).....	11,400 kg
Rated Payload.....	3,500 kg
Breakout Force.....	11,570 kgf
Standard Bucket Capacity.....	2.0 Cu. m

Engine



Make & Model.....	Cummins - QS B4.5 CIV140D222
Type.....	4-stroke, Liquid cooled, common rail direct injection with turbocharger
Gross Power Rating.....	104.4kW (140HP) @ 2200 rpm
Gross max. torque.....	608 Nm @1500 rpm
Cylinders/ Displacement.....	4 cylinder/4.458 Litres
Exhaust System.....	DOC + SCR + DEF Tank

Transmission

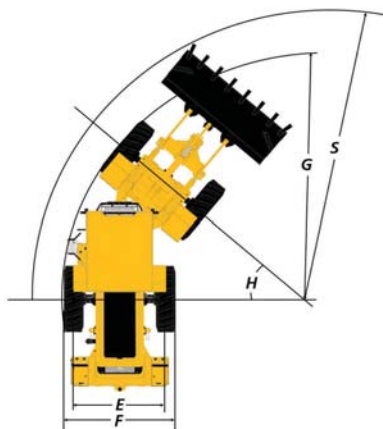
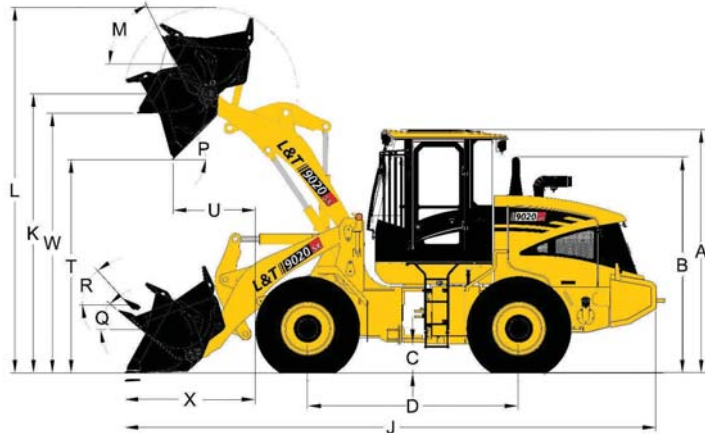


Make	AVTEC - TT2221-1
Type.....	Transmission with electric power shift, constant mesh, spur and planetary gears
Torque Converter.....	Avtec TT270
Travelling Speed.....	Forward: 1 st Gear 10.3 kmph 2 nd Gear 26 kmph Reverse : 11.8 kmph

Axles & Tyres



Make.....	Graziano
Type.....	4-Wheel drive
Model & type.....	PR 10& 45% LSD
Rear axle oscillation.....	± 12 degrees
Tyre (standard).....	14.00x25 - L3-20PR
Wheel Rim.....	10.00x25



DIMENSIONS		
A	Overall Height (mm)	3276
B	Height to top of exhaust stack (mm)	2910
C	Ground Clearance (mm)	410
D	Wheelbase (mm)	2800
E	Tread (Wheel Track) (mm)	1920
F	Width over Tyres (mm)	2325
G	Machine Clearance Radius (mm)	5050
H	Articulation Angle (Deg)	40

Brakes

Service Brake.....	4 Wheel oil immersed wet multi disc brake fitted at planetary hub
Parking Brake.....	Internal expanding shoe type fitted on transmission at output to front axle

Hydraulic System



Tandem Gear pump directly mounted on to the Transmission Loader actuation.....	Hydraulic Joystick
Arm operations.....	Raise, hold, lower & float
Bucket operations.....	Roll-back, hold & dump

Pressure Settings

Loader relief valve.....	245 bar
Steering relief valve.....	158 bar

Service Refill Capacities



Engine Coolant.....	25 L
Fuel Tank.....	198 L
Engine Lubrication Oil.....	17 L
Transmission Oil.....	38 L
Front Axle Oil.....	28 L
Rear Axle Oil.....	28 L
Hydraulic Oil (Total System).....	90 L (110L)
Diesel Exhaust Fluid- DEF Tank	24 L

Note:

- ▶ Operating Specifications are as per SAE J818, SAE J732 & SAE J742.
- ▶ Materials & Specifications are subjected to change without notice.

OPERATING DIMENSIONS

Notation	Description	Standard Arm						High-lift Arm	
		2.0	1.7	1.5	3.0	2.5	3.5	1.7	2.5
--	Bucket Capacity (Cu.m)	2.0	1.7	1.5	3.0	2.5	3.5	1.7	2.5
--	Bucket Width (mm)	2700	2550	2550	2800	2350	2800	2550	2350
--	Bucket Weights (Kg)	905	870	865	1055	950	1117	870	950
--	Breakout Force (kgf)	11570	9970	9970	9060	9060	8200	8380	7616
S	Turning Radius-Bucket (mm)	5829	5835	5835	5995	5995	6055	6020	6125
L	Overall Operating Height (mm)	4805	4942	4942	5040	5040	5156	5551	5656
W	Load Over Height (mm)	3520						4083	
K	Hinge pin Height (mm)	3810						4373	
M	Roll back - Fully raised (Deg)	55						45	
N	Max. Rollback - Fully raised (Deg)	60						45	
P	Dump angle (Deg)	50						45	
Q	Max. Rollback at Ground (Deg)	47						45	
R	Max. Rollback at carry (Deg)	53						50	
V	Digging depth (mm)	100						90	
T	Dump Height (mm)	2715	2604	2604	2524	2524	2432	3230	3158
U	Reach - Fully Raised (mm)	1248	1341	1341	1408	1408	1485	1250	1326
J	Overall length (mm)	7480	7625	7625	7730	7730	7850	7995	8100
X	Reach at Ground (mm)	2070	2215	2215	2320	2320	2440	2585	2690
--	Rise (s)	5.5 ± 0.5							
--	Lower (s)	3.7 ± 0.5							
--	Dump (s)	1.6 ± 0.3							
--	Rollback (s)	1.7 ± 0.3							

All the specification definitions are as per ISO - 7131 and SAE - J732.

Measurement accuracy tolerance shall be as per ISO - 9248,

Bucket Capacity definitions are as per ISO - 7546 (IS-12206) and SAE - J742.

Larsen & Toubro Limited

Lakshminarayan Complex (1st Floor),
10/1, Palace Road, Bangalore-560 052
Tel: (080) 4040 1700 / 93
E-mail: ceb@larsentoubro.com
CIN: L99999MH1946PLC004768